

ANT-WDB-ANF-0407

Dual-band omni-directional antenna: 4 dBi at 2.4 GHz or 7 dBi at 5 GHz



- > High-gain antenna to enhance performance
- > Waterproof N-type connector
- > Lightweight
- > Compact form factor
- > Pole-mounting support
- > housing provides IP65 protection
- > -40 to 80°C operating temperature range

: Specifications

Antenna Characteristics

Frequency: 2.4 to 2.5 or 5.1 to 5.9 GHz

Antenna Type: Omni-directional

Typical Antenna Gain: 4/7 dBi

Connector: N-type (female)

Impedance: 50 ± 5 ohms

Polarization: Linear

HPBW/horizontal: 360°

HPBW/vertical: 80°

V.S.W.R.: 1:1.5 max.

Power Handling: 10 W max.

Physical Characteristics

Weight: 297 g (incl. Antenna holder)

Dimensions:

Diameter: 35 mm

Length: 238 mm

IP Rating: IP65

Radome Color: White

Radome Material: Glass fiber

Environmental Limits

Operating Temperature: -40 to 80°C (-40 to 176°F)

Storage Temperature: -40 to 80°C (-40 to 176°F)

Ambient Relative Humidity: 5 to 95% (30°C, non-condensing)

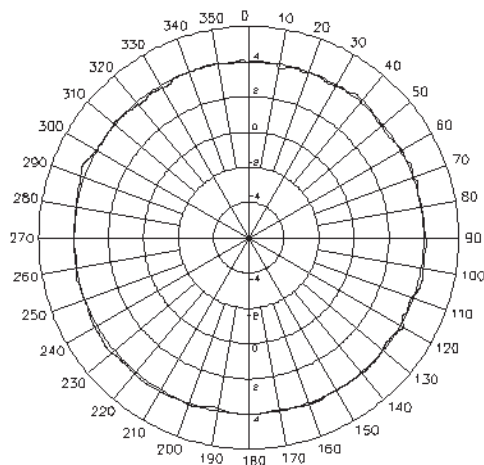
Warranty

Warranty Period: 1 year

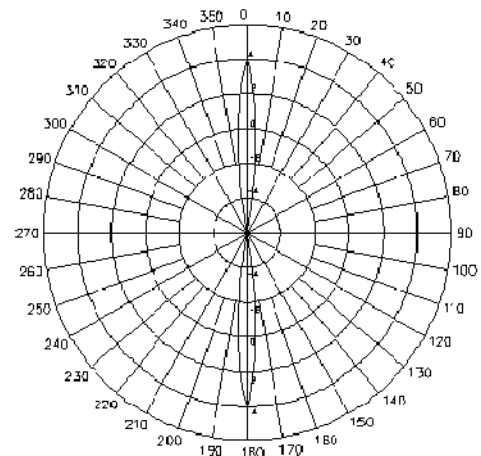
Details: See www.moxa.com/warranty

: Field Patterns

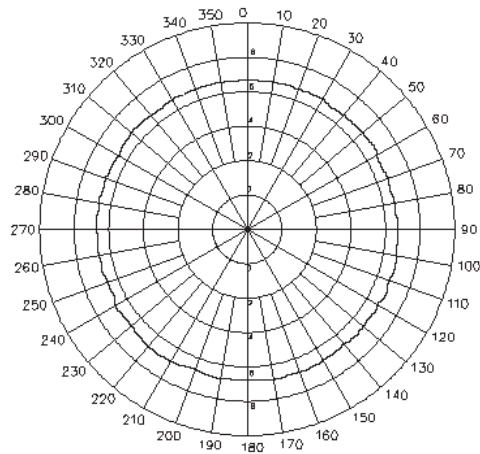
H-Plane for 2.4 GHz



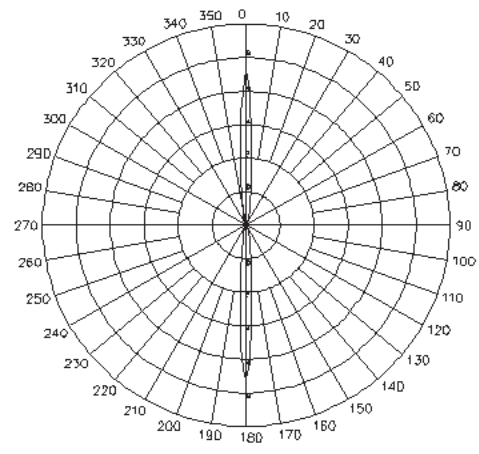
E-Plane for 2.4 GHz



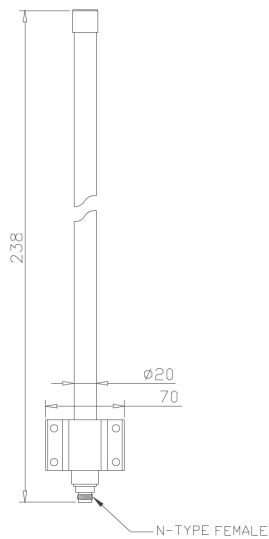
H-Plane for 5 GHz



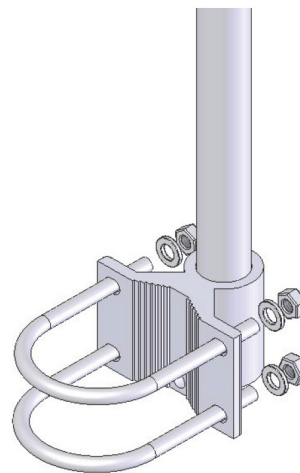
E-Plane for 5 GHz



Dimensions



Mounting



: Ordering Information

Available Models

ANT-WDB-ANF-0407: 2.4/5 GHz, dual band omni-directional antenna, 2 dBi, R-SMA (male), flat

Optional Accessories (can be purchased separately)

A-CRF-NMNM-LL4-300: LMR-400 LITE cable, N-type (male) to N-type (male), 3 meters

A-CRF-NMNM-LL4-600: LMR-400 LITE cable, N-type (male) to N-type (male), 6 meters

A-CRF-NMNM-LL4-900: LMR-400 LITE cable, N-type (male) to N-type (male), 9 meters

CRF-N0429N-3M: CFD400 cable, N-type (male) to N-type (male), 3 meters

CRF-N0117SA-3M: CFD200 cable, N-type (male) to RP SMA (male), 3 meters

A-CRF-RMNM-L1-300: LMR-195 LITE cable, N-type (male) to RP SMA (male), 3 meters

A-CRF-RMNM-L1-600: LMR-195 LITE cable, N-type (male) to RP SMA (male), 6 meters

A-CRF-RMNM-L1-900: LMR-195 LITE cable, N-type (male) to RP SMA (male), 9 meters

Can be used with the following products

AWK Series: AWK-3121, AWK-4121, AWK-5222, AWK-6222

NPort W2000 Series: NPort W2150 Plus, NPort W2250 Plus, NPort W2004