

AOA-2410M

2.4~2.5GHz 10dBi Mesh Omni Antenna

AOA-2410M antennas are professionally engineered and manufactured with the highest industry quality at the lowest possible price providing extreme value.

AOA-2410M is designed for the 2.4GHz ISM band, supporting 2.4 to 2.5 GHz and provides superb performance in IEEE 802.11b/g WiFi and Bluetooth applications.

AOA-2410M easy mount directory on the AP with an integrated N male connector.

Applications:

2.4 - 2.5 GHz ISM Band
IEEE 802.11b, 802.11g, 802.11n Wireless LAN
Directional and multipoint applications
Bluetooth
Public Wireless Hotspot
WiFi, RFID
Wireless Video Systems

Features:

Superior performance
Light weight
All weather operation
DC Short lightning protection
Installed for vertical



Model	AOA-2410M
Frequency	2.4-2.5GHz
VSWR	≤ 1.5
Gain	10dBi
Polarization	Vertical
Power Handling	50 Watts
Impedance	50 Ω
Beam Width	H: 360° / V: 12°
Connector	N male
Operation Temp	-40°C ~ +80°C
Dimension	770*17 mm
Mounting	20 ~ 23 mm (1.2 ~1.75 inch)
Weight	190g

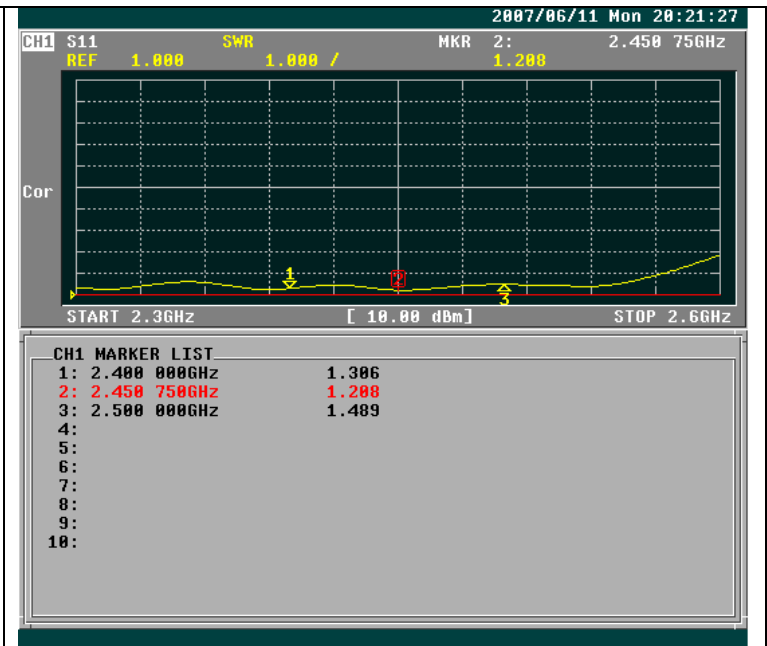
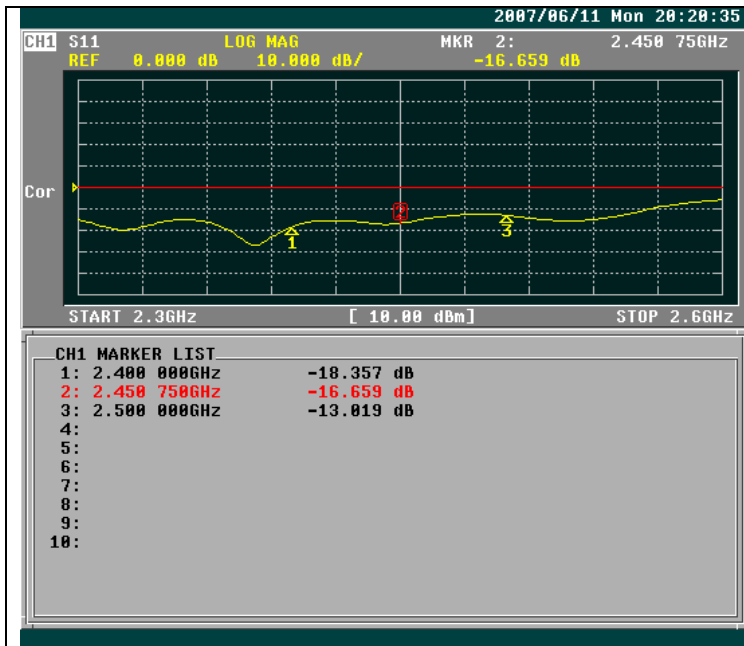
For further details:

Alfa Network Inc.,
4F-1 No. 106, Rueiguang Rd.,
Neihu District,
Taipei City, Taiwan.
<http://www.alfa.com.tw>
sales@alfa.com.tw
Tel:+886-2-27968477
Fax:+886-2-27968478

AOA-2410M

2.4~2.5GHz Mesh Omni Antenna 10dBi

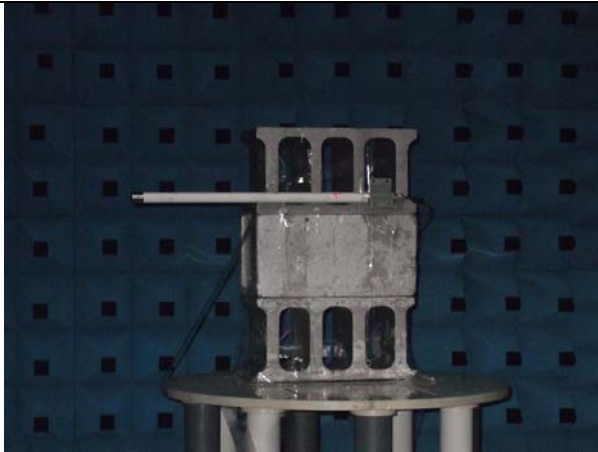
Network Analyzer Test Report



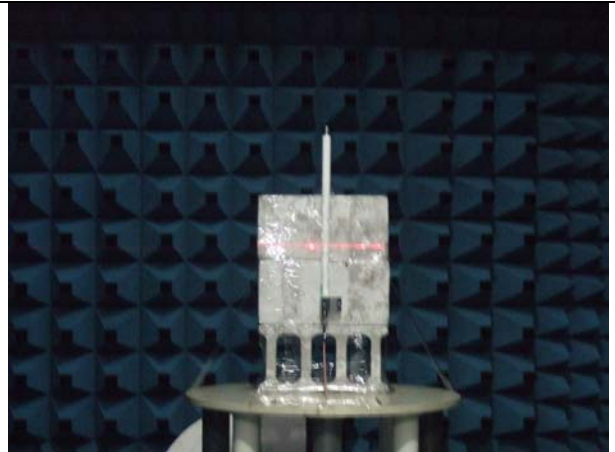
AOA-2408M

2.4~2.5GHz Mesh Omni Antenna 8dBi

RF Chamber Test Report Frequency: 2.4 ~ 2.5GHz



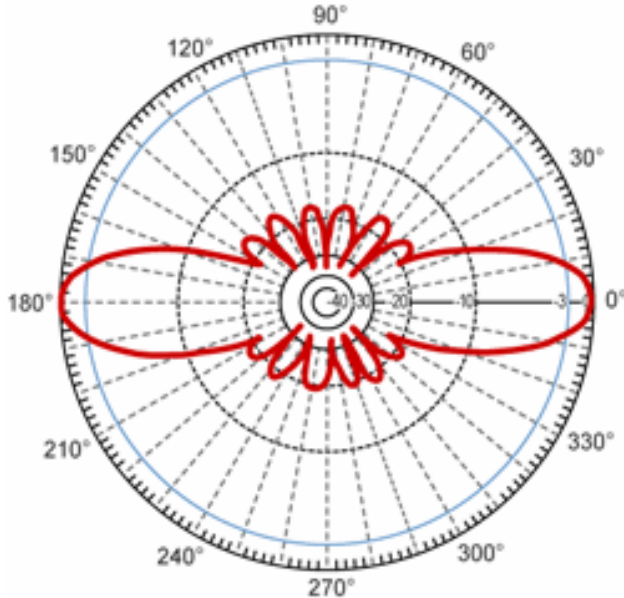
Vertical Pattern Photos



Horizontal Pattern Photos

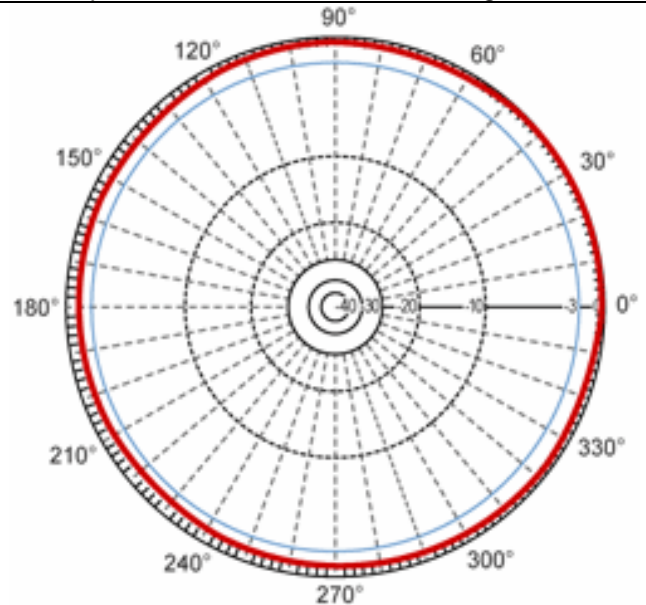
Frequency: 2.4-2.5GHz

E-plane co-pol ----- 3-dB beam-width=12 Deg



Vertical Pattern

H-plane co-pol ----- 3-dB beam-width=360 Deg



Horizontal Pattern

AOA-2410M

2.4~2.5GHz Mesh Omni Antenna 10dBi

Mounting Kits Install Guide

