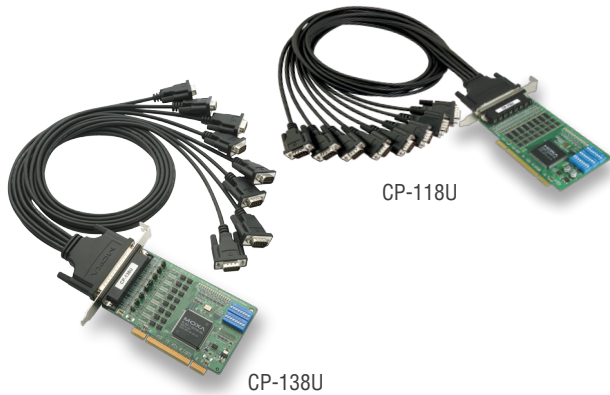


CP-118U/138U

8-port RS-232/422/485 Universal PCI serial boards



- > Over 700 kbps data throughput for top performance
- > 921.6 kbps maximum baudrate for super fast data transmission
- > 128-byte FIFO and on-chip H/W, S/W flow control
- > Compatible with 3.3/5 V PCI and PCI-X
- > Drivers provided for a broad selection of operating systems, including the latest Windows and Linux
- > Easy maintenance with on-board LED display, and management software
- > Wide temperature model available for -40 to 85°C environments



Overview

The CP-118U and CP-138U are smart, 8-port Universal PCI serial boards designed for POS and ATM applications and for use by industrial automation system manufacturers and system integrators. Both boards are compatible with all major operating systems. In addition, the CP-118U's 8 RS-232/422/485 ports and the CP-138U's

8 RS-422/485 ports support data rates up to 921.6 kbps and provide full modem control signals to ensure compatibility with a wide range of serial peripherals. The CP-118U and CP-138U support both 3.3 V and 5 V PCI buses, making them suitable for installation in most PC servers.

Drivers Provided for Windows and Linux

One of Moxa's highest priorities is to provide drivers for all mainstream operating systems. Reliable, well-tested Windows and Linux/Unix drivers are available for use with the CP-118U and CP-138U serial

boards. Other operating systems, such as Windows XP embedded and WEPOS, are also supported to accommodate embedded integration applications.

Specifications

Hardware

Comm. Controller: MU860 (16C550C compatible)

Bus: 32-bit Universal PCI

Connector: DB62 female

Serial Interface

Number of Ports: 8

Serial Standards:

CP-118U: RS-232/422/485

CP-138U: RS-422/485

Max. No. of Boards per PC: 4

Performance

Baudrate: 50 bps to 921.6 kbps

Serial Communication Parameters

Data Bits: 5, 6, 7, 8

Stop Bits: 1, 1.5, 2

Parity: None, Even, Odd, Space, Mark

Flow Control: RTS/CTS, XON/XOFF

Serial Signals

RS-232: TxD, RxD, RTS, CTS, DTR, DSR, DCD, GND

RS-422: TxD+(B), TxD-(A), RxD+(B), RxD-(A), GND

RS-485-4w: TxD+(B), TxD-(A), RxD+(B), RxD-(A), GND

RS-485-2w: Data+(B), Data-(A), GND

Physical Characteristics

Dimensions: 82 x 135 mm (3.22 x 5.31 in)

Driver Support

Windows: Windows 95/98/ME/NT/2000, Windows XP/2003/ Vista/2008/7/8/8.1/10 (x86/x64), Windows 2008 R2/2012/2012 R2 (x64), DOS, Windows Embedded CE 5.0/6.0, Windows XP Embedded

Linux: Linux 2.4.x, 2.6.x, 3.x

Unix-like Systems: QNX 6, SCO OpenServer, UnixWare 7, Solaris 10, FreeBSD

Note: Please refer to Moxa's website for the latest driver support information.

Environmental Limits

Operating Temperature:

Standard Models: 0 to 55°C (32 to 131°F)

Wide Temp. Models: -40 to 85°C (-40 to 185°F)

Storage Temperature: -40 to 85°C (-40 to 185°F)

Ambient Relative Humidity: 5 to 95% (non-condensing)

Standards and Certifications

EMC: EN 55022/24

EMI: CISPR 22, FCC Part 15B Class B

EMS:

IEC 61000-4-2 ESD: Contact: 4 kV; Air: 8 kV

IEC 61000-4-3 RS: 80 MHz to 1 GHz: 3 V/m

MTBF (mean time between failures)

Time:

CP-118U: 1,073,385 hrs

CP-138U: 1,147,210 hrs

Standard: Telcordia (Bellcore) SR-332

Power Requirements

Input Current:

CP-118U: 240 mA @ 5 VDC (RS-232); 300 mA @ 5 VDC (RS-422)

CP-138U: 135 mA @ 5 VDC (RS-422)

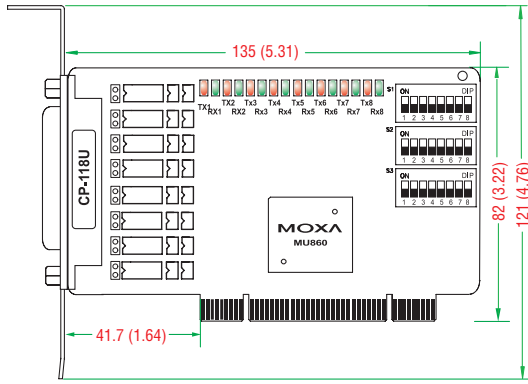
Warranty

Warranty Period: 5 years

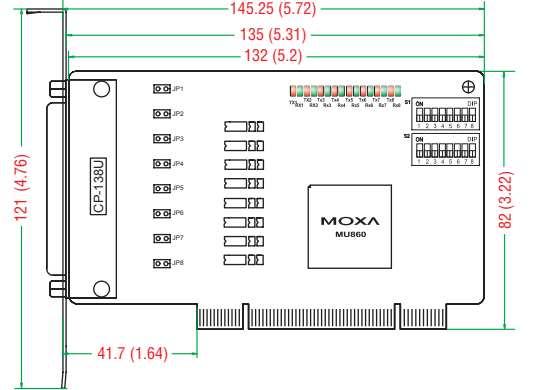
Details: See www.moxa.com/warranty

Dimensions

CP-118U



CP-138U



Unit: mm (inch)

Ordering Information

Available Models

CP-118U: 8-port RS-232/422/485 Universal PCI serial board, 0 to 55°C operating temperature

CP-138U: 8-port RS-422/485 Universal PCI serial board, 0 to 55°C operating temperature

CP-118U-T: 8-port RS-232/422/485 Universal PCI serial board, -40 to 85°C operating temperature

CP-138U-T: 8-port RS-422/485 Universal PCI serial board, -40 to 85°C operating temperature

Connection Options (can be purchased separately)

CBL-M62M9x8-100: M62 to 8 x DB9-M cable, 100 cm

CBL-M62M25x8-100: M62 to 8 x DB25-M cable, 100 cm

Optional Connectors (choose one per board)

OPT8A: M62 to 8 x DB25-F connection box with 150 cm DB62-M to DB62-F cable

OPT8B: M62 to 8 x DB25-M connection box with 150 cm DB62-M to DB62-F cable

OPT8S: M62 to 8 x DB25-F connection box w/ surge protection, with 150 cm DB62-M to DB62-F cable

OPT8-M9: M62 to 8 x DB9-M connection box with 150 cm DB62-M to DB62-F cable

OPT8-RJ45: M62 to 8 x RJ45 (8-pin) connection box with 30 cm cable

Package Checklist

- 1 CP-118U or CP-138U board
- Documentation and software CD
- Quick installation guide (printed)
- Warranty card

OPT8-M9

DB9 male x 8 (150 cm cable)



CBL-M62M9x8-100 (OPT8D)

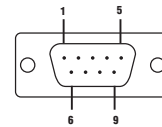
DB9 male x 8 (100 cm cable)



PIN	RS-232
1	DCD
2	RxD
3	TxD
4	DTR

PIN	RS-232
5	GND
6	DSR
7	RTS
8	CTS

DB9 male



OPT8B

DB25 male x 8 (150 cm cable)



CBL-M62M25x8-100 (OPT8C)

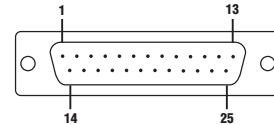
DB25 male x 8 (100 cm cable)



PIN	RS-232
2	TxD
3	RxD
4	RTS
5	CTS

PIN	RS-232
6	DSR
7	GND
8	DCD
20	DTR

DB25 male



OPT8A

DB25 female x 8 (150 cm cable)



OPT8S

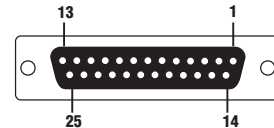
DB25 female x 8 (150 cm cable)



PIN	RS-232
2	RxD
3	TxD
4	CTS
5	RTS

PIN	RS-232
6	DTR
7	GND
8	DCD
20	DSR

DB25 female



OPT8-RJ45

8-pin RJ45 x 8 (30 cm cable)



PIN	RS-232
1	DSR
2	RTS
3	GND
4	TxD

PIN	RS-232
5	RxD
6	DCD
7	CTS
8	DTR

8-pin RJ45

